

PU/MMA Traffic Coating System

SYSTEM DESCRIPTION

DEK-Guard[™] PU/MMA Traffic Coating System is a 100% reactive, methyl-methacrylate based, 90-120 mil solid color overlay system. This unique system provides the flexibility and elongation required to protect concrete structures from temperature fluctuations and vibrations. It also allows for natural movement to occur without cracking.

SYSTEM BENEFITS

- One-hour cure reduces operational downtime
- Superior elongation properties allow for movement without cracking
- Extremely durable over time, protecting your investment
- Seamless finish that allows for a hygienic, cleanable coating system
- Non-porous, waterproof surface
- Chemically resistant to most non-solvent based contaminants and aggressors
- UV stable for indoor or outdoor application
- Designed specifically to withstand heavy impact and traffic
- No waxing required, reducing your maintenance costs
- Easily repairable due to unique chemistry

SYSTEM COMPONENTS

Primer:	DEK-641 with RT-R-Component
Flexible Membrane:	DEK-650
Body Coat:	DEK-675
Wear Coat:	DEK-680

PHYSICAL CHARACTERISTICS

Compressive Strength (ASTM C-579, psi): 3,000

Elongation @ Break (ASTM D638, %): 450%

Tensile Strength (ASTM C307, psi): 3,850

Tensile Modulus (ASTM C307, psi): 430,000

Hardness (ASTM D-2240, Shore D): 87

Abrasion Resistance (ASTM D-4060, CS-17, mg): 50

Flexural Strength (ASTM D790, psi): 3,500

Coefficient of Thermal Expansion (ASTM D696, in./in./°F): .000019

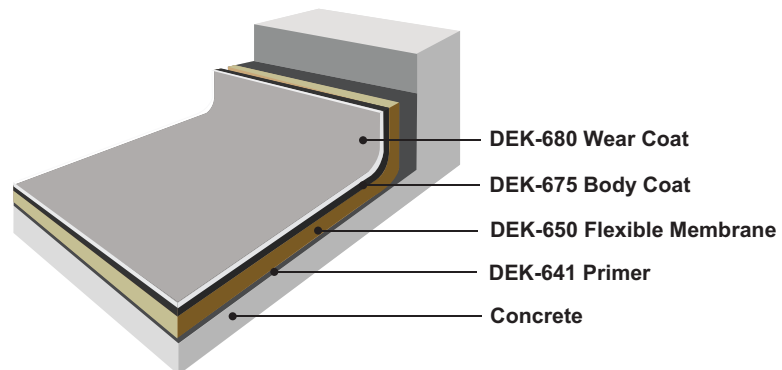
Water Absorption (ASTM C-413, wt.%): .05

Water Vapor Transmission (DIN53122, g/cm-hr-mmHg x 10⁻⁹): 1.43

VOC Content (ASTM D-2369, Method E): DEK-641 Primer - 48.0 g/l
DEK-650 Flexible Membrane - 89.5 g/l
DEK-675 Body Coat - 70.8 g/l
DEK-680 Wear Coat - 95.1 g/l

Cure Time: 45-60 minutes

Installation Temperature Range: -15° F to 100° F



COLOR OPTIONS

RT-Pigments are available in a variety of colors. Please refer to the Res-Tek Color Chart or ask your Res-Tek representative for specific color options.

SLIP RESISTANCE

Aluminum oxide or industrial silica can be added to the system to increase slip-resistance to the desired level. Please consult your Res-Tek representative for more information.

COVE BASE

All Res-Tek floor systems can include an integral 4" or 6" cove base.

MOISTURE MITIGATION

Additional products are required if waterproofing or moisture mitigation is needed. Please consult your Res-Tek representative for more information.

CLEANING & MAINTENANCE

Res-Tek MAC-Guard floors require little routine maintenance. No stripping or waxing is required. However, a regular cleaning schedule will increase service life and aid in maintaining aesthetics. Please refer to the MAC-Guard Cleaning & Maintenance Guide for specific instructions.

MIXING & APPLICATION

Please refer to the Product Data Sheets and Application Guide for specific instructions.



PACKAGING

Products are sold by weight, not by volume. Product properties require that containers provided are not completely filled. See price sheet for actual container weights and volumes.

STORAGE CONDITIONS

Store material in a cool and dry place out of direct sunlight. Do not store near open flame or ignition source. Read and understand all product labels and SDS sheets prior to use.

WARRANTY

Res-Tek Inc. warrants material for 1 year if used and stored in accordance with Res-Tek's specified application procedure. Res-Tek Inc. has no responsibility for application and processing of products. Joint issued warranties are available by request when a Res-Tek approved applicator is selected for installation.